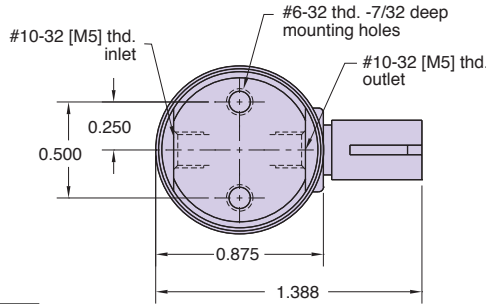


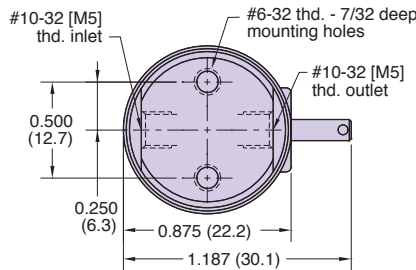
# EVP SERIES PROPORTIONAL CONTROL VALVES IN-LINE MOUNT



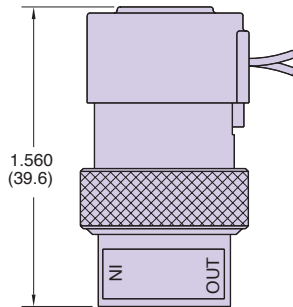
## EC - P - □ - □ □ - □



## ET - P - □ - □ □ - □



## EV - P - □ - □ □ - □



**Type:** 2-Way, Proportional

**Medium:** Air or Inert Gases

**Temperature Range:** 32 to 120°F

**Power Consumption:** 1.9 watts at 23°C 2.3 watts max.

**Mounting:** In-line

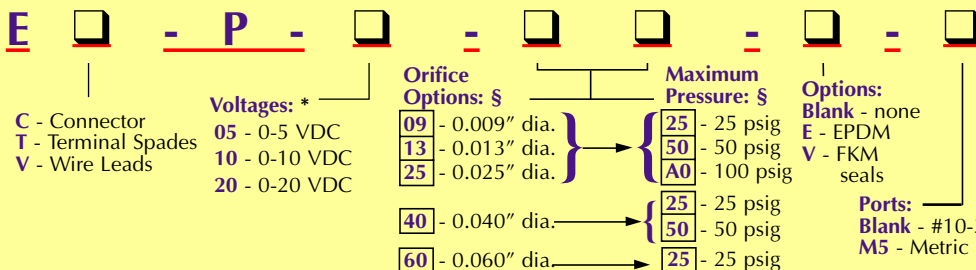
**Ports:** #10-32 [M5] Female

Orifice Diameter (in.)	Rated Pressure (psig)	Flow at Max. Current (scfh)
0.009"	100	5.7±10%
0.013"	100	14.2±10%
0.025"	100	50.0±10%
0.040"	50	40.0±10%
0.060"	25	30.0±10%

Nominal Voltage Range at 23°C (vdc)	Input Current Range (amps)	Coil Resistance at 23°C (ohms)	Max. Voltage Required (vdc)
0 - 5	0 - 0.370	13.5	6.2
0 - 10	0 - 0.185	54	12.4
0 - 20	0 - 0.092	218	24.8

The EVP Proportional Valve can be calibrated for pressures less than the maximum shown here. Lower pressures may be substituted, and will be used for calibration. The pressures shown above are standard options. For pressures less than 10 psig, please consult factory.

### NUMBERING SYSTEM



\* Consult factory for availability of non-standard voltages and other options

§ Standard Orifice Configurations  
09A0 13A0 25A0  
4050 6025

Sample part number:  
EC-P-10-25A0

For Cable and Connectors, see Page 201.